

Product Image



Cabinet Size

6U 600 X 450 MM

Standard

Comply with ANSI/EIA RS-310-D, DIN41497 part 1, IEC297-2, DIN41494 part 7, GB/T3047.2-92 standard.

Feature

19 inch standard;

Removable Side Panels, side locks optional;

Knock off hole for entering cable on both top cover, bottom panel, rear panel

Turning angle of front door is over 180 degrees

Easy mounting installation

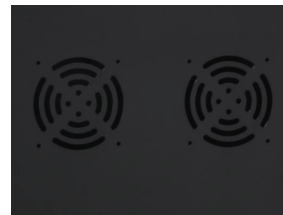
Unassembled package saving shipping space

1 cooling fan, 1 fixed shelf & 6 Way UK type PDU is standard

Loading Capacity

80KG

Cabinet details



Fan exhaust hole



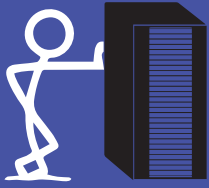
Standard Fan unit



Removable side panels
(Side lock optional)



Cable entrance on
rear panel



Degree of Protection

IP20

Material

SPCC Cold Rolled Steel
Thickness:2.0mm-1.2mm-0.8mm

Surface Finish:

Powder coating



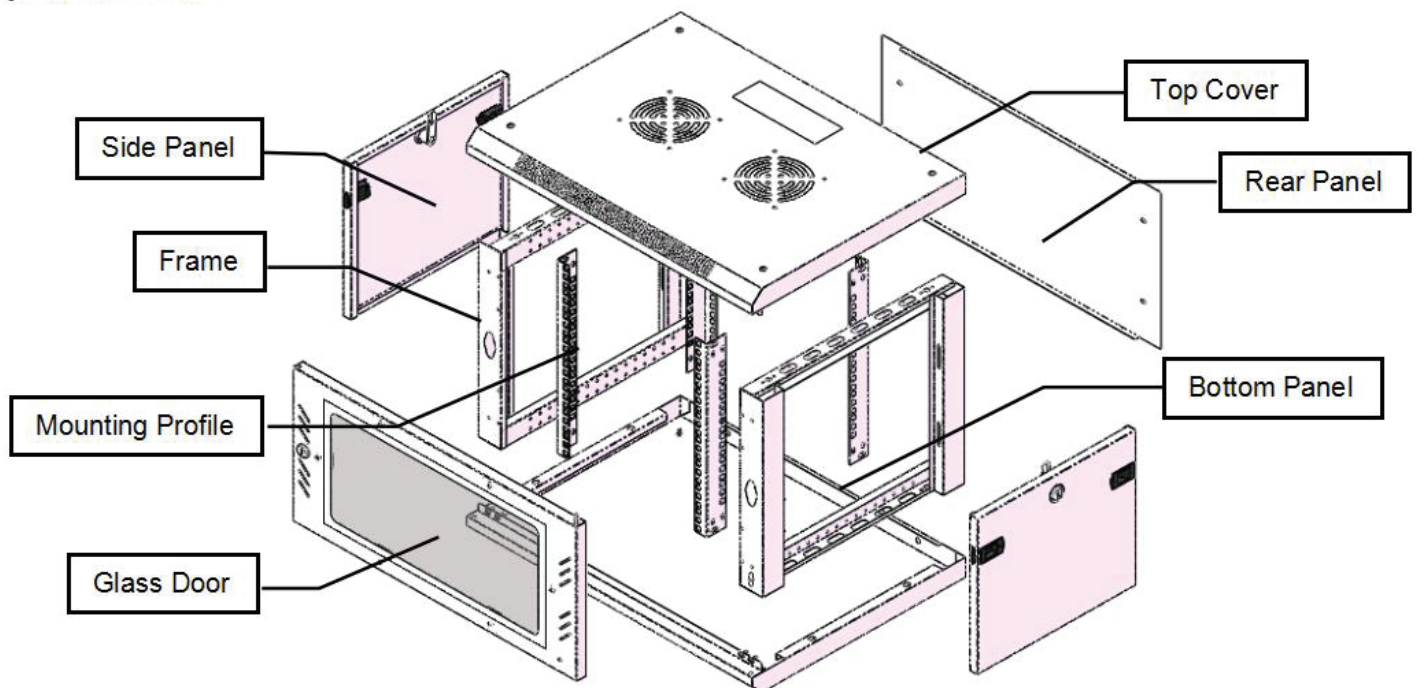
Front tempered glass door with metal perforated border

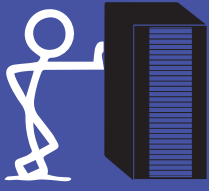


Zinc plated mounting profile (Ground wire optional)

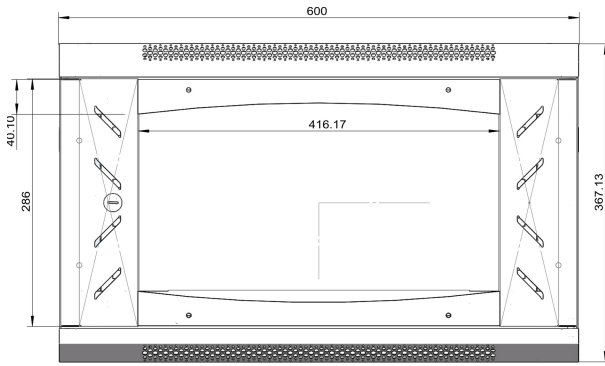
WM Single Section Wall Mount Cabinet

Exploded-View

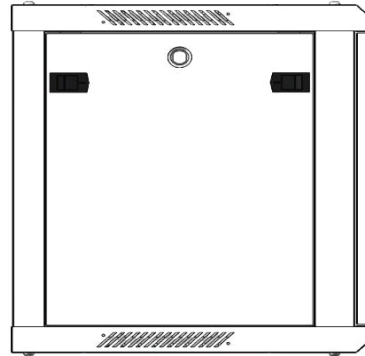




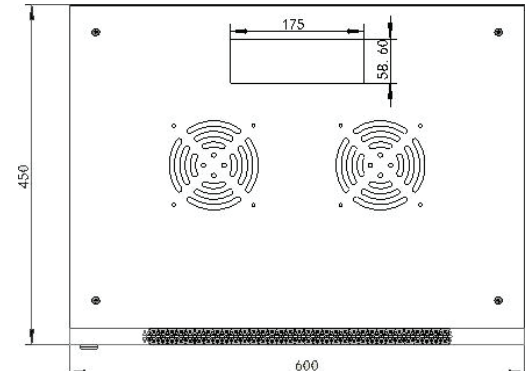
Main dimension



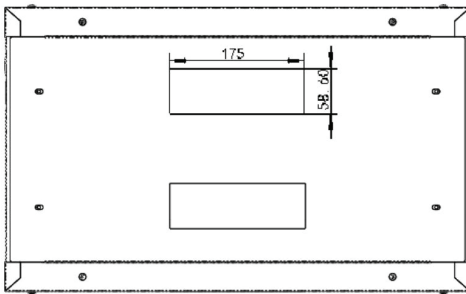
Front view
(Toughened glass)



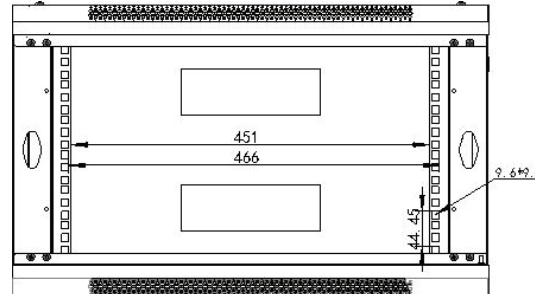
Side view



Top view



Back view



Inside view

Main parts

S/N	Specification	Quantity	Unit	Material	Surface Finish	Remark
1	Mounting Profile	4	Piece	Coated Zinc plate t2.0	Coated Zinc	with u mark
2	Frame	2	Piece	SPCC cold rolled steel t1.2	Powder coated	
3	Side Panel	2	Piece	SPCC cold rolled steel t0.8	Powder coated	
4	Top Cover	1	Piece	SPCC cold rolled steel t0.8	Powder coated	
5	Bottom Panel	1	Piece	SPCC cold rolled steel t0.8	Powder coated	
6	Rear Panel	1	Piece	SPCC cold rolled steel t0.8	Powder coated	
7	Front Door	1	Piece	5MM toughened glass door/SPCC t1.0	Powder coated	
8	Lock	1	Piece	Steel	Color Zinc	With 2 keys
9	M6 Square nut	12	Piece	Steel	Color Zinc	
10	M6 B-head screw	12	Piece	Steel	Color Zinc	
11	Allen Wrench	1	Piece	Steel	Color Zinc	