

Product Image



Cabinet Size

12U 600 X 600 MM

Standard

Comply with ANSI/EIA RS-310-D, DIN41497 part 1, IEC297-2, DIN41494 part 7, GBIT3047.2-92 standard.

Feature

19 inch standard;

Removable Side Panels, side locks optional;

Knock off hole for entering cable on both top cover, bottom panel, real panel

Turning angle of front door is over 180 degrees

Easy mounting installation

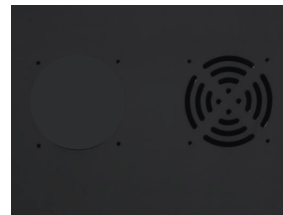
Unassembled package saving shipping space

1 cooling fan, 1 fixed shelf & 6 Way UK type PDU is standard

Loading Capacity

80KG

Cabinet details



Fan exhaust hole



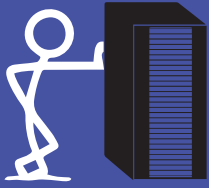
Standard Fan unit



Removable side panels
(Side lock optional)



Cable entrance on
rear panel



Degree of Protection

IP20

Material

SPCC Cold Rolled Steel
Thickness:2.0mm-1.2mm-0.8mm

Surface Finish:

Powder coating



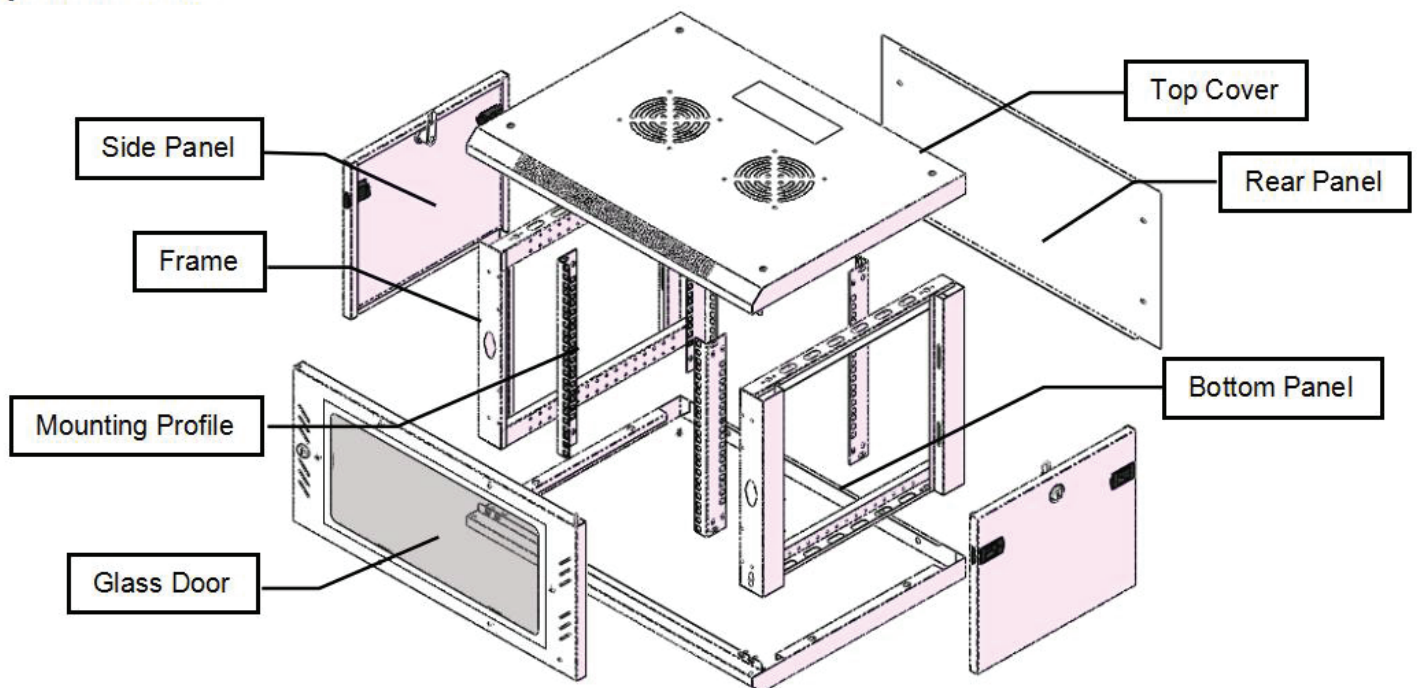
Front tempered glass door with metal perforated border

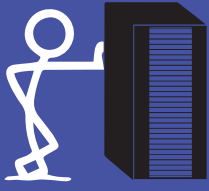


Zinc plated mounting profile (Ground wire optional)

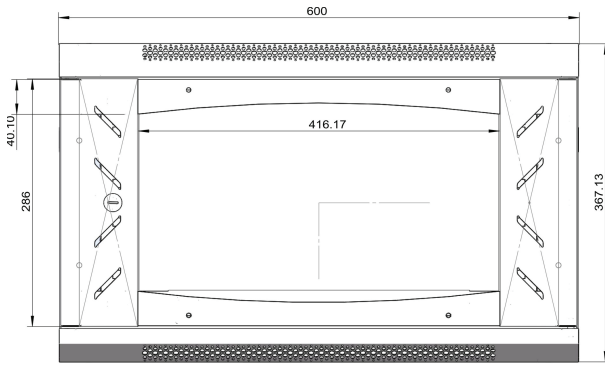
WM Single Section Wall Mount Cabinet

Exploded-View

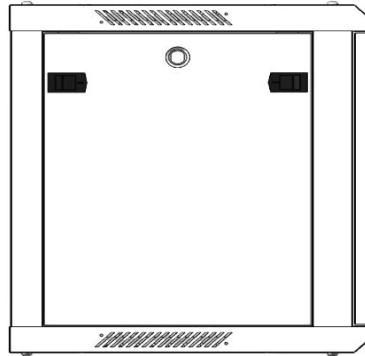




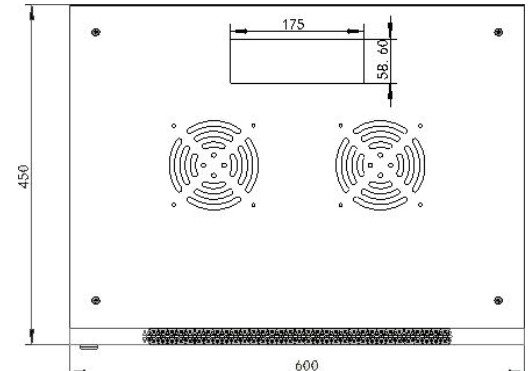
Main dimension



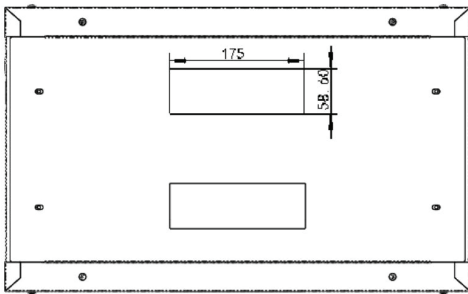
Front view
(Toughened glass)



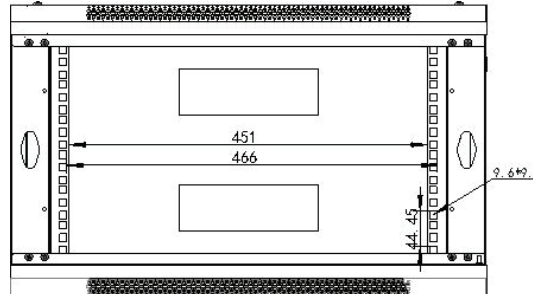
Side view



Top view



Back view



Inside view

Main parts

| S/N | Specification | Quantity | Unit | Material | Surface Finish | Remark |
|-----|------------------|----------|-------|------------------------------------|----------------|-------------|
| 1 | Mounting Profile | 4 | Piece | Coated Zinc plate t2.0 | Coated Zinc | with u mark |
| 2 | Frame | 2 | Piece | SPCC cold rolled steel t1.2 | Powder coated | |
| 3 | Side Panel | 2 | Piece | SPCC cold rolled steel t0.8 | Powder coated | |
| 4 | Top Cover | 1 | Piece | SPCC cold rolled steel t0.8 | Powder coated | |
| 5 | Bottom Panel | 1 | Piece | SPCC cold rolled steel t0.8 | Powder coated | |
| 6 | Rear Panel | 1 | Piece | SPCC cold rolled steel t0.8 | Powder coated | |
| 7 | Front Door | 1 | Piece | 5MM toughened glass door/SPCC t1.0 | Powder coated | |
| 8 | Lock | 1 | Piece | Steel | Color Zinc | With 2 keys |
| 9 | M6 Square nut | 12 | Piece | Steel | Color Zinc | |
| 10 | M6 B-head screw | 12 | Piece | Steel | Color Zinc | |
| 11 | Allen Wrench | 1 | Piece | Steel | Color Zinc | |

